

Laser Products

Laser Diode

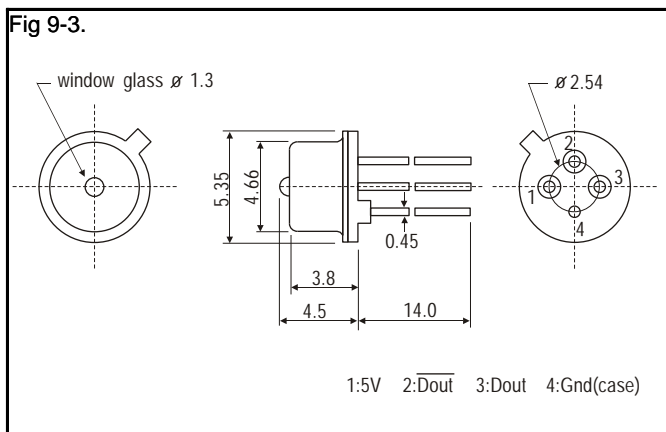
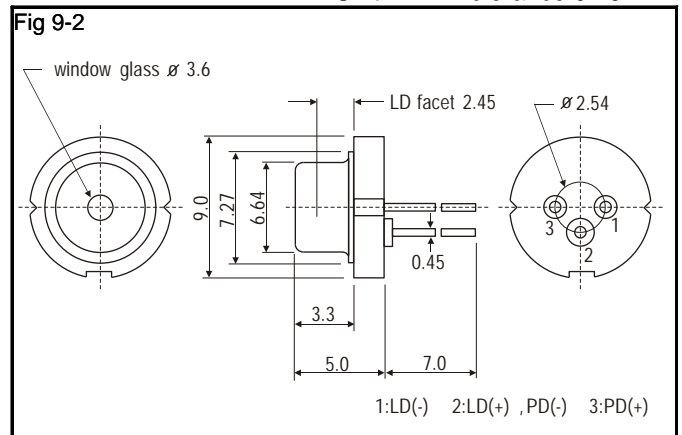
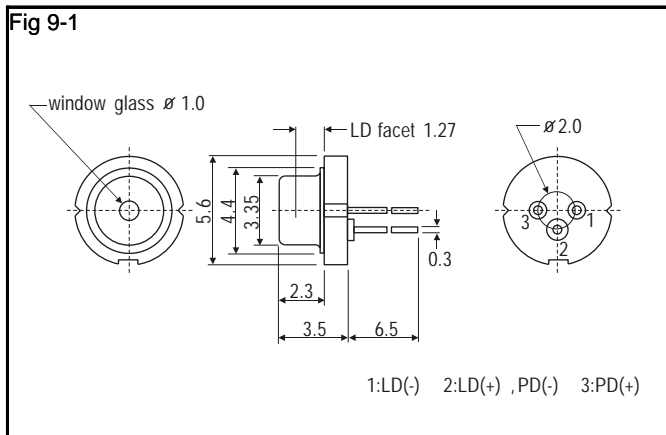
Ta=25°C

	Device No	Package	Fig no	Absolute Maximum Rating		Electro-Optical Characteristics					
				Light output	Operating temperature	Rating	Threshold current	Operating current	laser wavelength	Beam divergence parallel	Beam divergence perpendicular
				Po	Topr	Po	Ith	Iopp	λ_p	$\theta_{//}$	θ_{\perp}
				mW	°C	mW	mA	mA	nm	deg	deg
standard	HLDP-650-A-5	TO-18	9-1	5	-10 ~ +40	5	20	35	650	9	35
	HLDP-635-A-5	TO-18	9-1	5	-10 ~ +40	5	30	45	635	9	30
	HLDD-650-A-5	TO-18	9-1	5	-10 ~ +70	5	18	25	650	9	33
high power	HLDH-650-A-20	TO-18	9-1	20	-10 ~ +40	20	35	60	650	9	33
	HLDH-660-B-50	TO-5	9-2	60	-10 ~ +28	50	80	180	660	9	38
	HLDH-660-B-200	TO-5	9-2	220	-10 ~ +28	200	250	500	660	9	38
	HLDH-808-B-200	TO-5	9-2	220	-10 ~ +40	200	150	700	808	9	35
	HLDH-808-B-1000	TO-5	9-2	1100	-10 ~ +40	500	200	1200	808	9	35
communication	HLDC-1310-A-5	TO-18	9-1	10	-40 ~ +85	5	12	---	1310	20	40
	HLDC-1550-A-5	TO-18	9-1	6	-40 ~ +85	5	10	---	1550	20	40
	T-11/155-G-AGC	TO-46	9-3	155 Mbps PIN-TIA Receiver							

HLDD-650-A-5 are suitable for DVD-player pickup heads.

Dimension:

Unit : mm. Tolerance:0.25mm.



Safety considerations:

1. This product complies with 21 CFR 1040.10 and 1040.11
2. The beam emitted from the laser module is visible and may be harmful to the human eye. Avoid any possibility of locking into the laser package or the collimated beam along its optical axis when the device is in operation.
3. ESD precautions must be taken when handling unit.
4. visible laser radiation avoid direct exposure to beam.