

Alphanumeric Displays

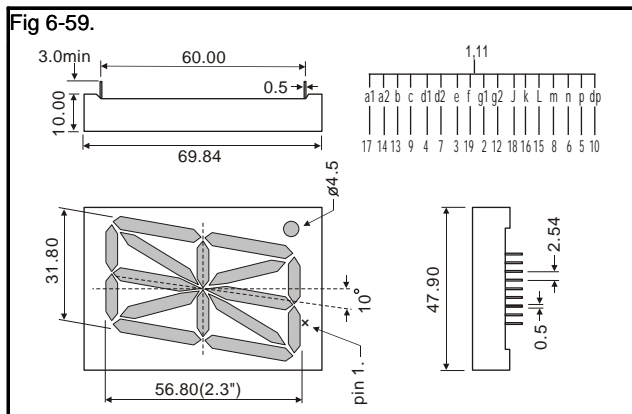
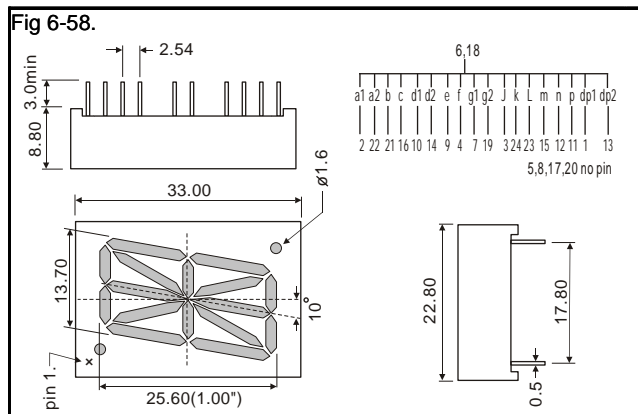
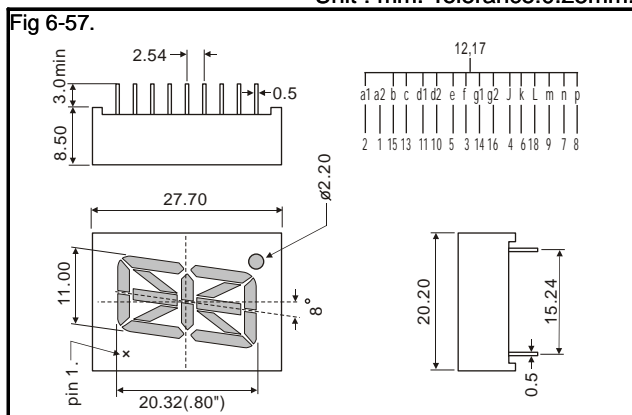
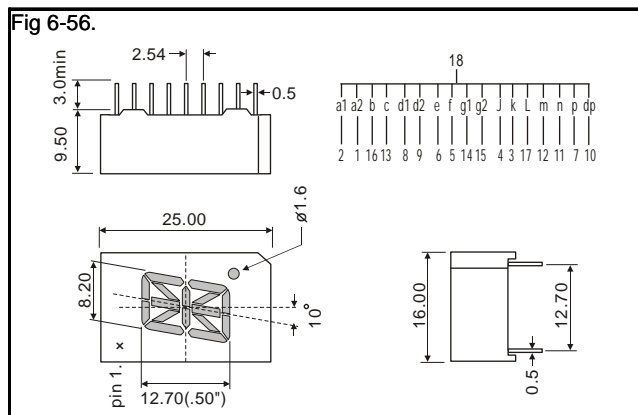
0.50" ~ 2.3"

IF=20mA/segment Ta=25°C

Front View	Device No		Color		Wavelength (nm)		VF Typical (V)	Brightness (mcd)	
	Common Anode	Common Cathode	Emitter	Surface, Segment	λ_p	λ_d		Minimum	Typical
0.50" 18pin fig 6-56	HAA-5012	HAC-5012	hi-red	GW,BW,BR,RR	700	658	2.1	300	650
	HAA-5013	HAC-5013	yellow green	GW,BW,GGn,BGn	565	564	2.1	750	2000
	HAA-5014	HAC-5014	yellow	GW,BW,GY,BY	585	583	2.1	700	1600
	HAA-5015	HAC-5015	hi-eff red	GW,BW,BR,RR	635	620	2.0	750	2000
	HAA-5016DR	HAC-5016DR	super red	GW,BW,BR,RR	660	645	1.8	2000	10000
0.80" 18pin fig 6-57	HAA-8012	HAC-8012	hi-red	GW,BW,BR,RR	700	658	2.1	300	650
	HAA-8013	HAC-8013	yellow green	GW,BW,GGn,BGn	565	564	2.1	750	2000
	HAA-8014	HAC-8014	yellow	GW,BW,GY,BY	585	583	2.1	700	1600
	HAA-8015	HAC-8015	hi-eff red	GW,BW,BR,RR	635	620	2.0	750	2000
	HAA-8016DR	HAC-8016DR	super red	GW,BW,BR,RR	660	645	1.8	2000	10000
1.0" 24pin fig 6-58	HAA-10013	HAC-10013	yellow green	GW,BW,GGn,BGn	565	564	4.2	1200	4000
	HAA-10014	HAC-10014	yellow	GW,BW,GY,BY	585	583	4.2	1200	3200
	HAA-10015	HAC-10015	hi-eff red	GW,BW,BR,RR	635	620	4.0	1600	4200
	HAA-10016DR	HAC-10016DR	super red	GW,BW,BR,RR	660	645	3.6	4000	10000
2.3" 18pin fig 6-59	HAA-23013	HAC-23013	yellow green	GW,BW,GGn,BGn	565	564	4.2	1800	5400
	HAA-23014	HAC-23014	yellow	GW,BW,GY,BY	585	583	4.2	1800	5400
	HAA-23015	HAC-23015	hi-eff red	GW,BW,BR,RR	635	620	4.0	2000	6000
	HAA-23016DR	HAC-23016DR	super red	GW,BW,BR,RR	660	645	3.6	5400	20000

Dimension:

Unit : mm. Tolerance:0.25mm.



ELPROMA NL., PHONE +31 (0)343 - 518724, FAX +31 (0)343 - 512286