

# Miniature Device LEDs

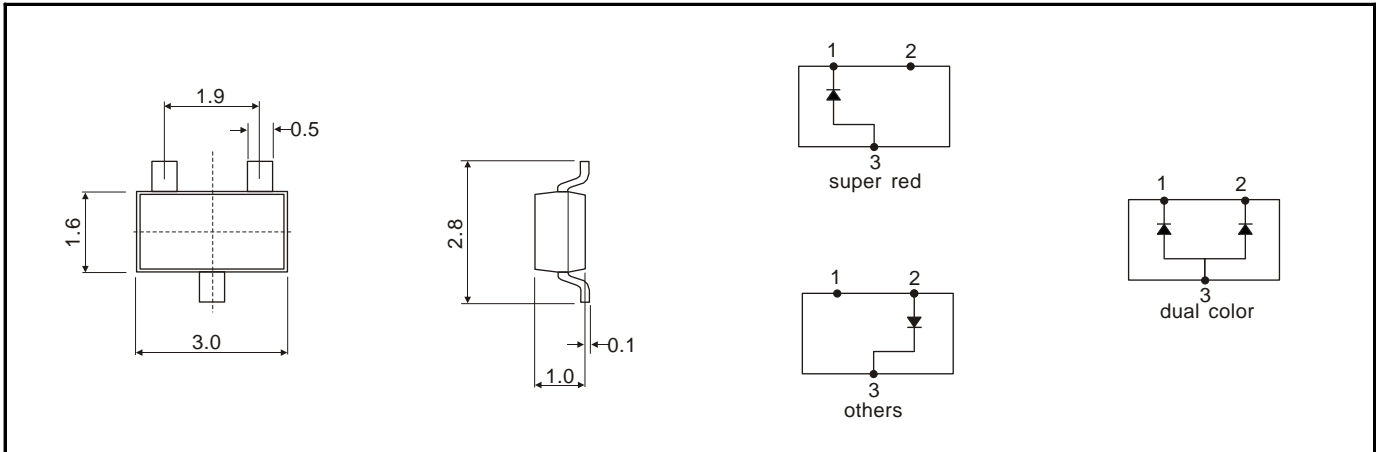
SOT23 Type 3.0mm(L) X 1.5mm(W) X 1.0mm( H)

IF=20mA Ta=25°C

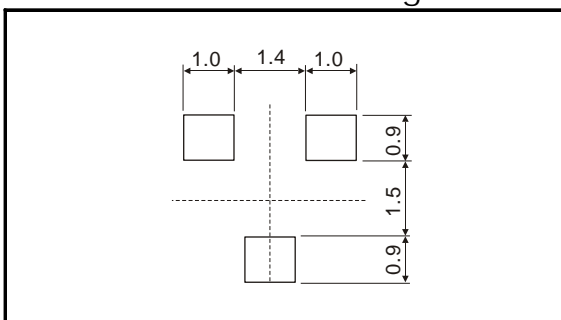
Device No	Color		Wavelength ( nm)		VF Typical (V)	Brightness (mcd)		View Angle 2θW
	Emitter	Lens	λp	λd		Minimum	Typical	
HSOT23-42	hi-red	water clear	700	658	2.20	0.8	2.0	140
HSOT23-43	yellow green	water clear	570	567	2.15	4.0	8.5	
HSOT23-44	yellow	water clear	589	585	2.10	2.0	4.0	
HSOT23-45	hi-eff red	water clear	625	618	2.05	3.0	6.0	
HSOT23-46DR	super red	water clear	660	643	1.80	7.0	12.0	
HSOT23-454	orange/yellow	water clear	625/589	618/585	2.05/2.10	2.0	4.0	
HSOT23-453	orange/green	water clear	625/570	618/567	2.05/2.15	2.0	4.0	
HSOT23-443	yellow/green	water clear	589/570	585/567	2.10/2.15	2.0	4.0	

Dimension:

Unit : mm. Tolerance:0.2mm



Recommended Soldering



Tape Specifications: (3,000pcs/Reel)

