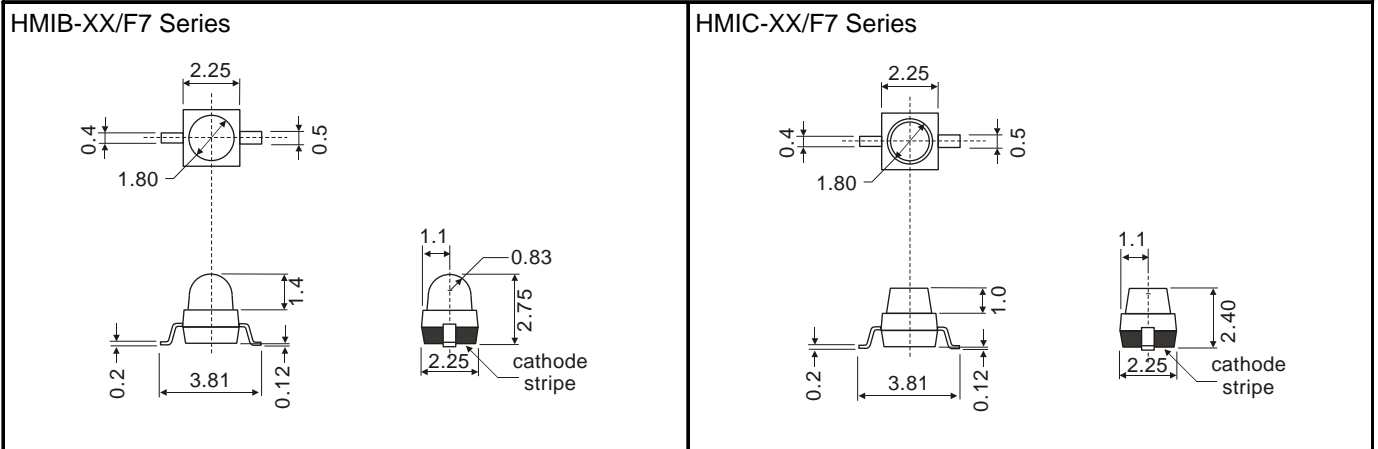


Miniature Device LEDs

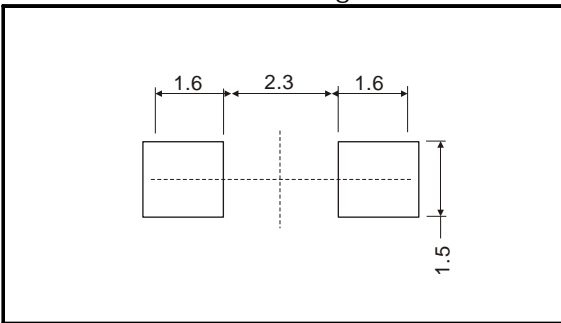
F7(Surface Mount)

Dimension:

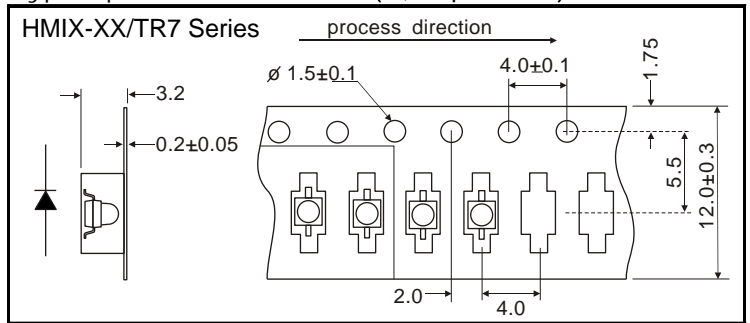
Unit : mm. Tolerance:0.15mm



Recommended Soldering Pattern:



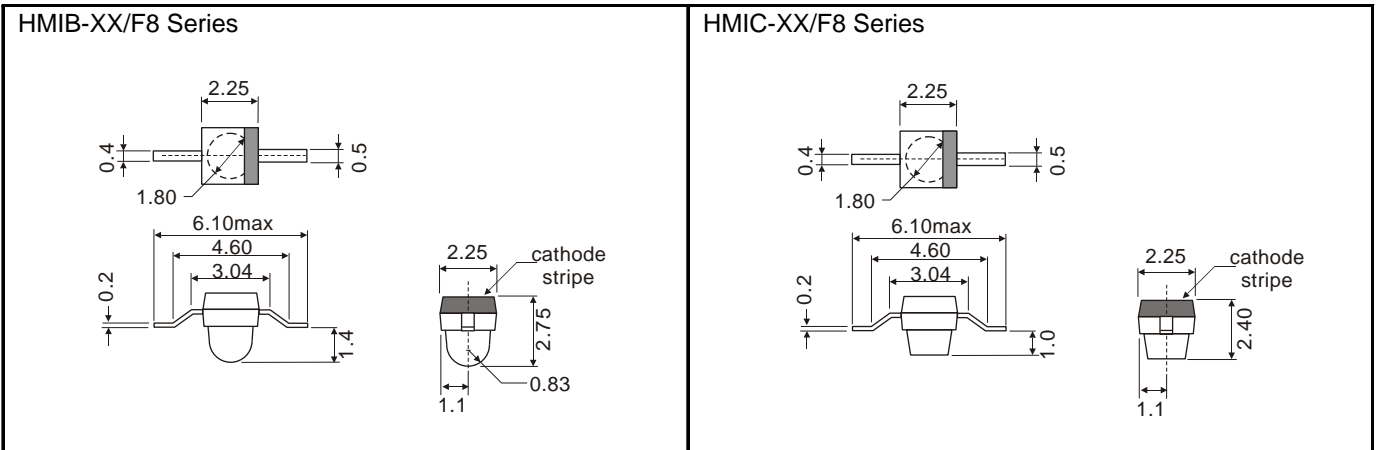
Type Specifications: (1,500pcs/Reel)



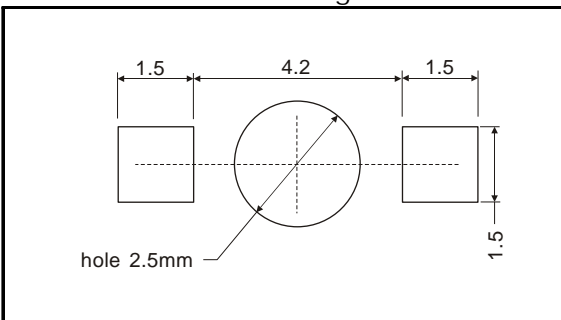
F8(Surface Mount)

Dimension:

Unit : mm. Tolerance:0.15mm.



Recommended Soldering Pattern:



Tape Specifications: (1,500pcs/Reel)

