

# Surface Mount LEDs

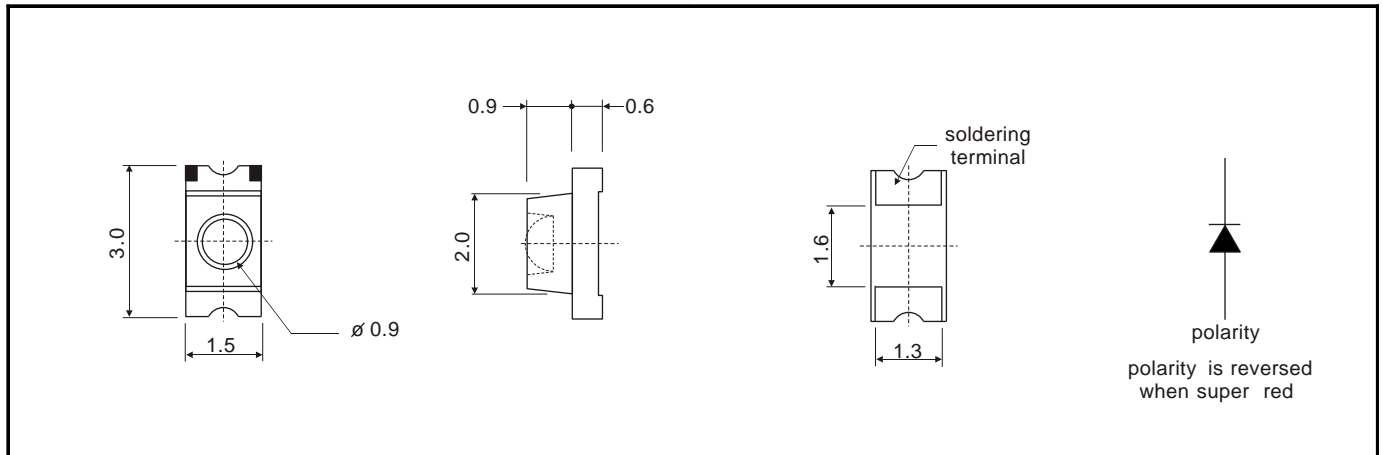
1206 Type 3.0mm(L) X 1.5mm(W) X 1.5mm(H)

IF=20mA Ta=25 °C

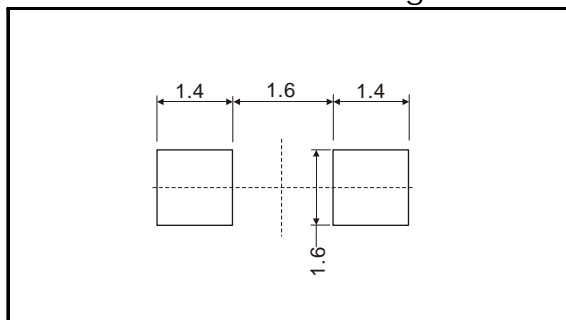
Device No	Color		Wavelength ( nm)		VF Typical (V)	Brightness (mcd)		View Angle 2θW
	Emitter	Lens	λp	λd		Minimum	Typical	
HCL-1513	yellow green	water clear	570	567	2.15	18.0	30.0	20
HCL-1513DG	yellow green	water clear	570	567	2.15	25.0	39.0	
HCL-1513AG	super pure green	water clear	523	525	3.50	179	309	
HCL-1514	yellow	water clear	589	585	2.10	10.8	18.0	
HCL-1514AY	super yellow	water clear	589	588	2.00	45.0	78.0	
HCL-1515	hi-eff red	water clear	625	618	2.05	10.8	18.0	
HCL-1515AO	super orange	water clear	620	615	2.00	90.0	150	
HCL-1516CR	super red	water clear	660	643	1.80	27.0	45.0	
HCL-1516AR	super red	water clear	660	645	1.86	40.0	70.0	
HCL-1518CB	super blue	water clear	468	470	3.80	40.0	70.0	
HCL-1518AB	super blue	water clear	465	470	3.50	61.0	105	

Dimension:

Unit : mm. Tolerance:0.2mm.



Recommended Soldering Pattern:



Tape Specifications: ( 2,000pcs/Reel )

