

# Surface Mount LEDs

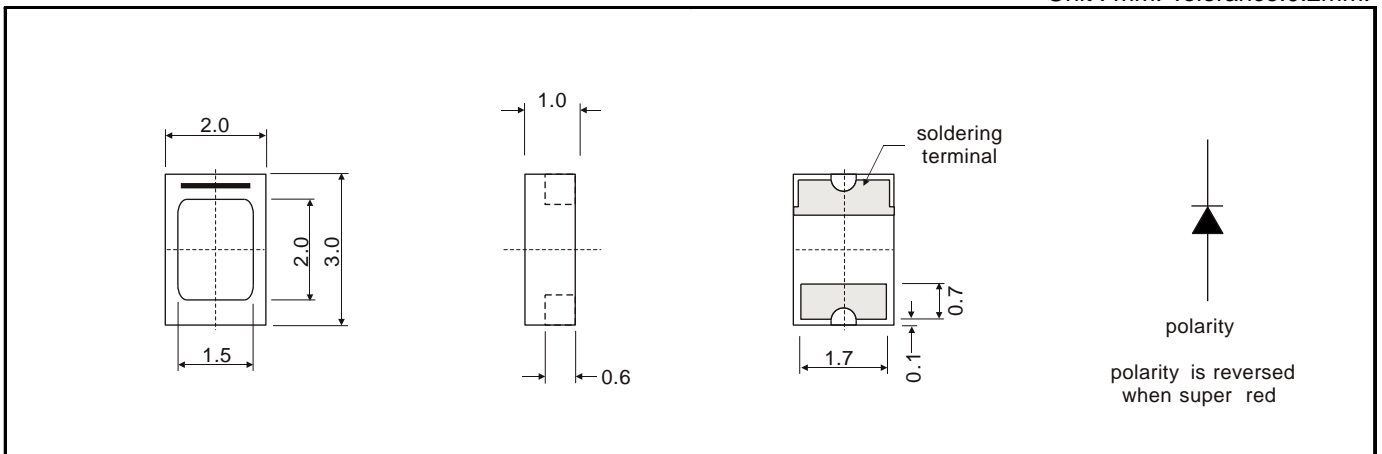
1208 Type 3.0mm(L) X 2.0mm(W) X 1.0mm(H)

IF=20mA Ta=25°C

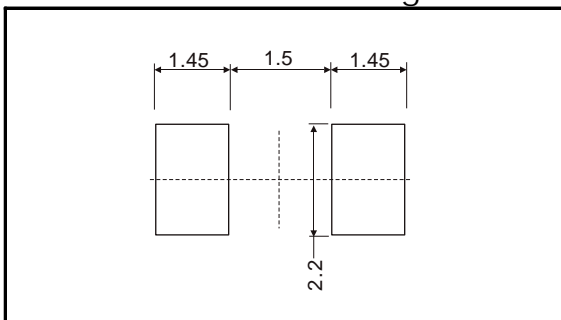
Device No	Color		Wavelength (nm)		VF Typical (V)	Brightness (mcd)		View Angle 2θW
	Emitter	Lens	λp	λd		Minimum	Typical	
HCL-1402	hi-red	colored clear	700	658	2.20	1.0	2.7	120
HCL-1403	yellow green	colored clear	570	567	2.15	6.0	13.5	
HCL-1403DG	super yellow green	colored clear	570	567	2.15	8.0	16.0	
HCL-1403AG	super pure green	water clear	523	525	3.50	75.0	150	
HCL-1404	yellow	colored clear	589	585	2.10	3.5	7.5	
HCL-1404AY	super yellow	water clear	592	590	2.00	30.0	65.5	
HCL-1405	hi-eff red	colored clear	625	618	2.05	6.0	13.5	
HCL-1405AO	super orange	water clear	620	615	2.00	30.0	65.0	
HCL-1406DR	super red	colored clear	660	643	1.80	11.0	25.5	
HCL-1406CR	super red	colored clear	660	643	1.80	15.0	37.5	
HCL-1406AR	super red	colored clear	660	645	1.86	25.0	55.5	
HCL-1408AB	super blue	water clear	465	470	3.50	20.0	45.0	
HCL-1409AW	white	water clear	---	---	3.60	---	225	

Dimension:

Unit : mm. Tolerance:0.2mm.



Recommended Soldering Pattern:



Tape Specifications: ( 3,000pcs/Reel )

