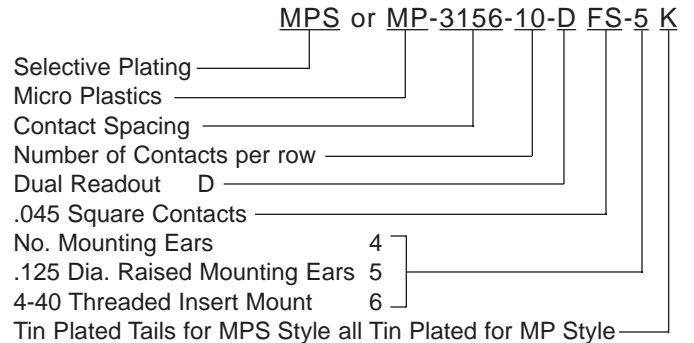
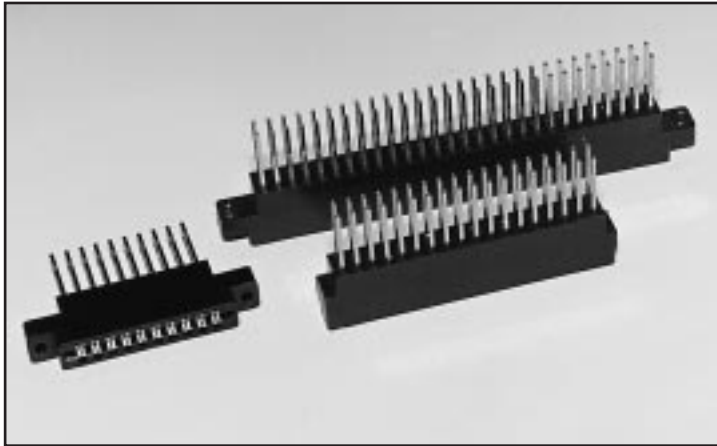


# .156

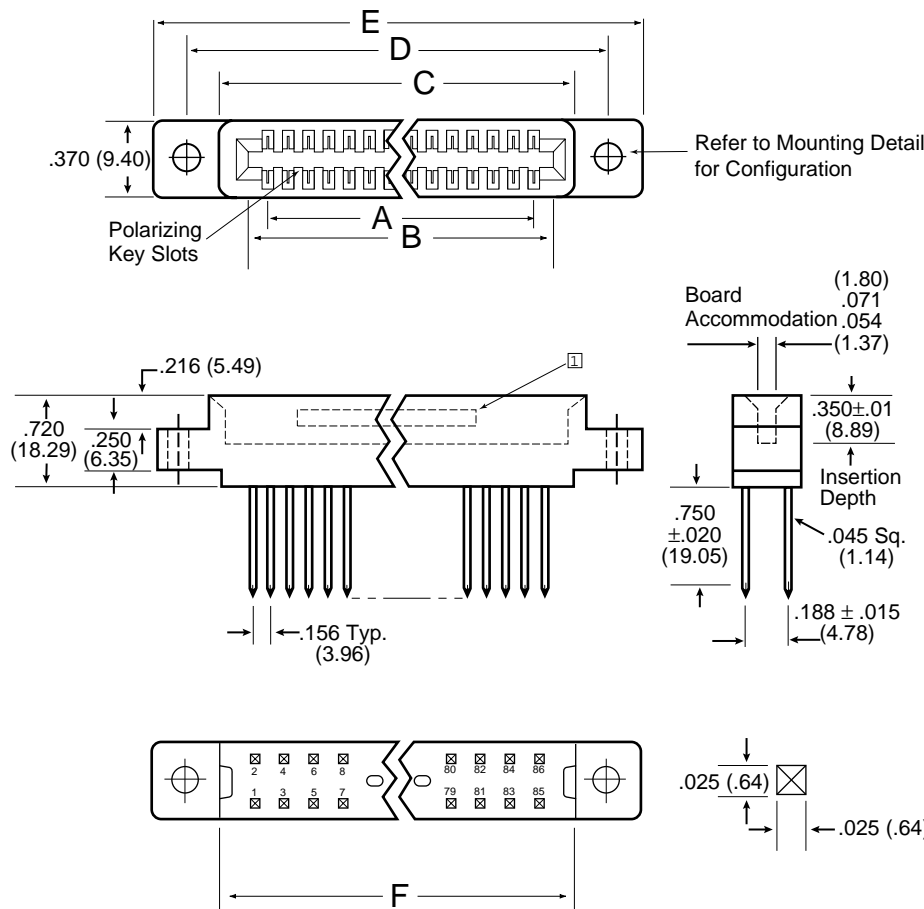
## Contact Centers Edgecard Connectors .045 Square Wire Wrap Contacts

U.L. APPROVED E78000 (S)

### Part Number Description



### Dimensions



### General Information

**CONTACT FORCES PER  
MIL-C-21097C**

**MATERIALS/FINISHES:**

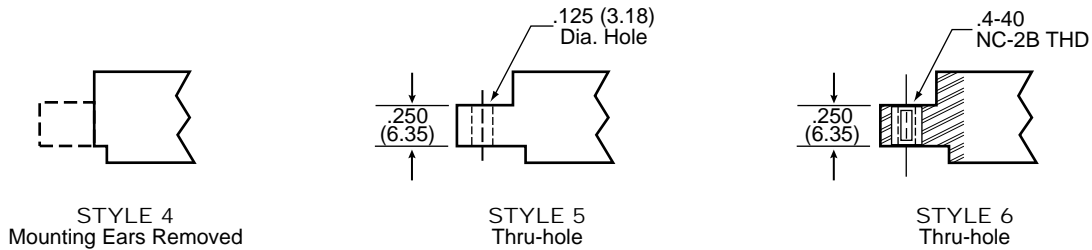
- **Insulator:** Glass filled polyester (G.E. Valox 420-SEO or Equiv.)
- **Color:** Black (Blue or Green available upon request)
- **Keys:** Nylon, **Color:** White
- **Contacts:** Phosphor Bronze
- **Contact Finishes:** (MP Version) .000010 gold per MIL-G-45204 type II over nickel (MPS Version) CA 725 copper alloy .000010 to .000015 gold inlay; (Western Electric Type 1) over .000030 nickel on bellows face only. Tails are tin/lead plated.
- **Hardware:** Nickel plated brass.

**NOTE:** Various insulator materials, colors, plating material, thickness and sizes available upon request.

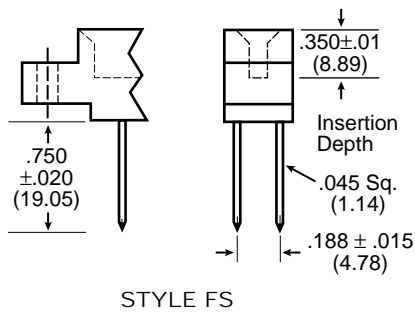
# High Profile

.156 x .188 ROW

## Mounting Styles-Detail G \* NOTE: Additional mounting styles and hole sizes available upon request.



## Termination Styles-Detail H



## Polarizing Key (Between Contact Positions)

Polarizing Key  
ordered separately  
P/N 04-0004-000



## Part Numbers/Dimensions

PART NUMBER	NO. OF CONT.	* INCHES						* MILLIMETERS					
		A ±.010	B ±.010	C ±.015	D ±.015	E ±.020	F ±.015	A ±0.25	B ±0.25	C ±0.38	D ±0.38	E ±0.51	F ±0.25
MP-3156-10-DFS-*	10/20	1.404	1.724	1.845	2.158	2.408	1.604	35.66	43.79	46.86	54.81	61.16	40.74
MP-3156-12-DFS-*	12/24	1.716	2.038	2.157	2.470	2.720	1.916	43.59	51.77	54.79	62.74	69.09	48.67
MP-3156-15-DFS-*	15/30	2.184	2.506	2.625	2.938	3.188	2.384	55.47	63.65	66.68	74.63	80.98	60.55
MP-3156-18-DFS-*	18/36	2.652	2.974	3.093	3.406	3.656	2.852	67.36	75.54	78.56	86.51	92.86	72.44
MP-3156-22-DFS-*	22/44	3.276	3.598	3.717	4.030	4.280	3.476	83.21	91.39	94.41	102.36	108.71	88.29
MP-3156-25-DFS-*	25/50	3.744	4.064	4.188	4.498	4.748	3.944	95.10	103.23	106.38	114.25	120.60	100.18
MP-3156-28-DFS-*	28/56	4.212	4.534	4.653	4.966	5.216	4.412	106.98	115.16	118.19	126.14	132.49	112.07
MP-3156-30-DFS-*	30/60	4.524	4.844	4.968	5.278	5.528	4.724	114.91	123.04	126.19	134.06	140.41	119.99
MP-3156-31-DFS-*	31/62	4.680	5.000	5.124	5.434	5.684	4.880	118.87	127.00	130.15	138.02	144.37	123.95
MP-3156-36-DFS-*	36/72	5.460	5.782	5.901	6.214	6.464	5.660	138.68	146.86	149.89	160.38	164.19	143.76
MP-3156-43-DFS-*	43/86	6.552	6.874	6.993	7.306	7.556	6.752	166.42	174.60	177.62	185.57	189.20	171.50