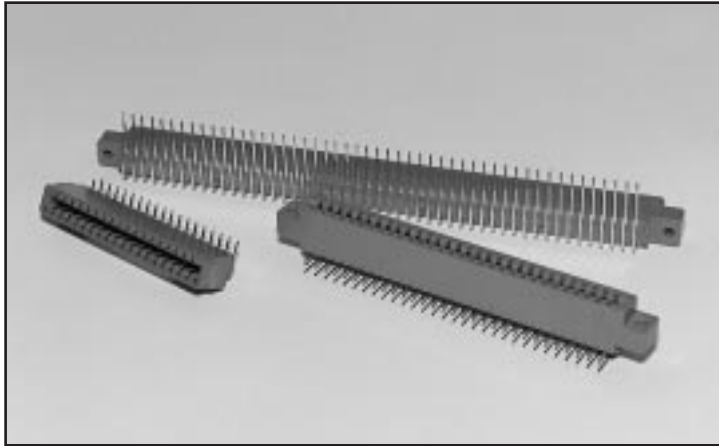


# .125

## Contact Centers Edgecard Connectors .025 Square Right Angle Contacts

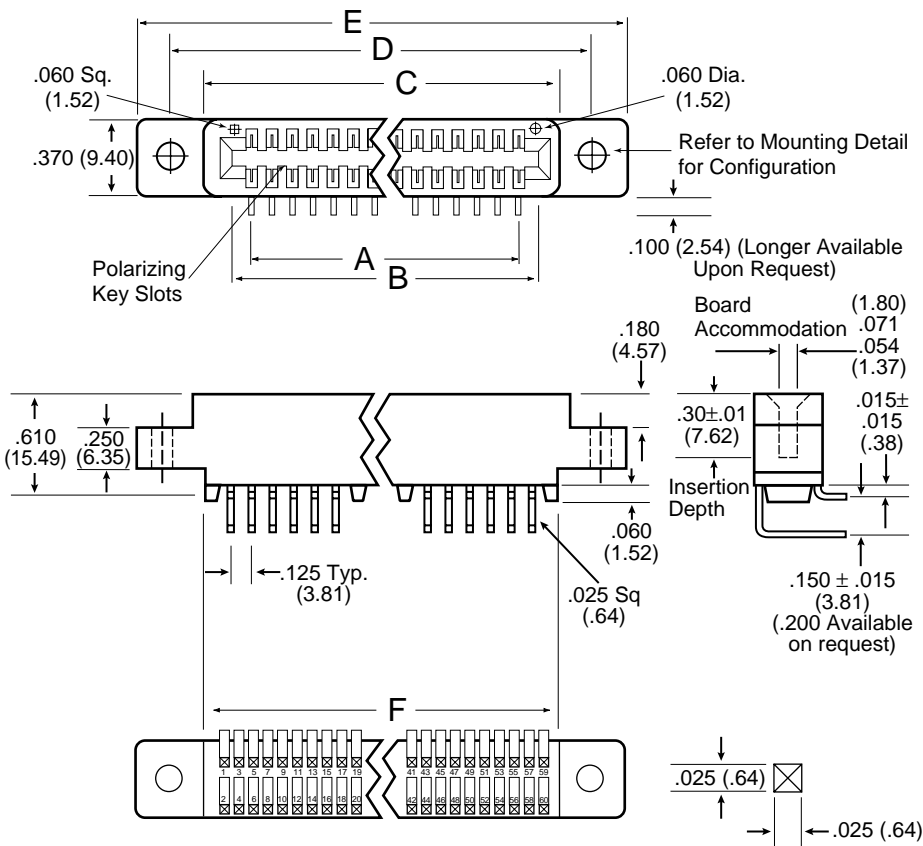
U.L. APPROVED E78000 (S)

### Part Number Description



	MPS or MP-0125-10-D W - 4 K R
Selective Gold Plating	—
Standard All Gold Plating	—
Contact Spacing	—
Number of Contacts per row	—
Dual Readout D	—
.025 Square Wire Wrap Contacts	—
.125 Flush Mounting Holes	1
4-40 Flush Threaded Inserts	2
No. Mounting Ears	4
.125 Dia. Raised Mounting Ears	5
4-40 Threaded Insert Mount	6
.125 Dia. Side Mounting Hole	8
Tin Plated Tails for MPS Style all Tin Plated for MP Style	—
Right Angle Contacts (.150 Rows)	—

### Dimensions



### General Information

**CONTACT FORCES PER MIL-C-21097C**

**MATERIALS/FINISHES:**

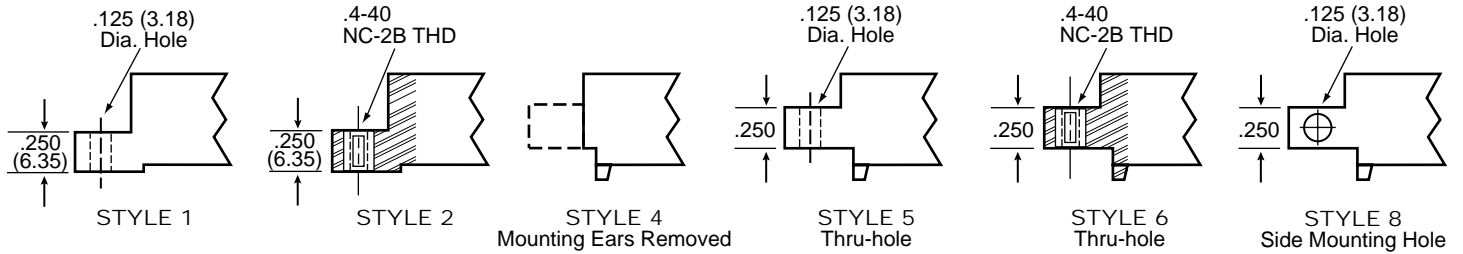
- **Insulator:** Glass filled polyester (G.E. Valox 420-SEO or Equiv.)
- **Color:** Blue (Black or Green available upon request)
- **Keys:** Nylon, **Color:** White
- **Contacts:** Phosphor Bronze
- **Contact Finishes:** (MP Version) .000010 gold per MIL-G-45204 type II over nickel (MPS Version) CA 725 copper alloy .000010 to .000015 gold inlay; (Western Electric Type 1) over .000030 nickel on bellows face only. Tails are tin/lead plated.
- **Hardware:** Nickel plated brass.

**NOTE:** Various insulator materials, colors, plating material, thickness and sizes available upon request.

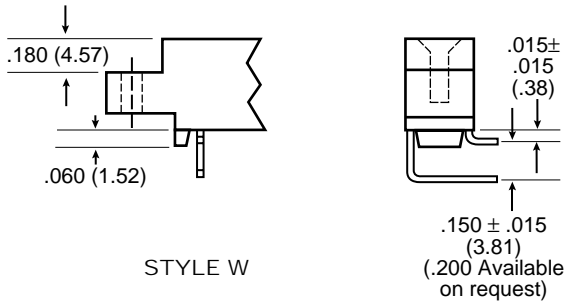
# High Profile

.125 x .150 ROW

Mounting Styles-Detail G \* NOTE: Additional mounting styles and hole sizes available upon request.



## Termination Styles-Detail H



## Polarizing Key

(Between Contact Positions)

Polarizing Key  
ordered separately  
P/N 04-0004-000



## Part Numbers/Dimensions

PART NUMBER	NO. OF CONT.	INCHES						MILLIMETERS					
		A ±.010	B ±.010	C ±.015	D ±.015	E ±.020	F ±.015	A ±0.25	B ±0.25	C ±0.38	D ±0.38	E ±0.51	F ±0.38
MP-0125-06-DW-*R	6/12	.625	.875	1.035	1.295	1.555	.875	15.88	22.23	26.29	32.89	39.50	15.88
MP-0125-10-DW-*R	10/20	1.125	1.375	1.535	1.795	2.055	1.375	28.58	34.93	38.99	45.59	52.20	34.93
MP-0125-15-DW-*R	15/30	1.750	2.000	2.160	2.420	2.680	2.000	44.45	50.80	54.86	61.47	68.07	50.80
MP-0125-18-DW-*R	18/36	2.125	2.375	2.535	2.795	3.055	2.375	53.98	60.33	64.39	70.99	77.60	60.33
MP-0125-22-DW-*R	22/44	2.625	2.875	3.035	3.295	3.555	2.875	66.68	73.03	77.09	83.69	90.30	73.03
MP-0125-25-DW-*R	25/50	3.000	3.250	3.410	3.670	3.930	3.250	76.20	82.55	86.61	93.21	99.82	76.20
MP-0125-28-DW-*R	28/56	3.375	3.625	3.785	4.045	4.305	3.625	85.73	92.08	96.14	102.74	109.35	92.08
MP-0125-30-DW-*R	30/60	3.625	3.875	4.035	4.295	4.555	3.875	92.08	98.43	102.49	109.09	115.70	98.43
MP-0125-31-DW-*R	31/62	3.750	4.000	4.160	4.420	4.680	4.000	92.25	101.60	105.66	112.27	118.87	101.60
MP-0125-32-DW-*R	32/64	3.875	4.125	4.285	4.545	4.805	4.125	98.43	104.78	108.84	115.44	122.05	104.78
MP-0125-35-DW-*R	35/70	4.250	4.500	4.660	4.920	5.180	4.500	107.95	114.30	118.36	124.97	131.57	114.30
MP-0125-36-DW-*R	36/72	4.375	4.625	4.785	5.045	5.305	4.625	111.13	117.48	121.54	128.14	134.75	117.48
MP-0125-40-DW-*R	40/80	4.875	5.125	5.285	5.545	5.805	5.125	123.83	130.18	134.24	140.84	147.45	130.18
MP-0125-43-DW-*R	43/86	5.250	5.500	5.660	5.920	6.180	5.500	133.35	139.70	143.76	150.37	156.97	139.70
MP-0125-44-DW-*R	44/88	5.375	5.625	5.785	6.045	6.305	5.625	136.52	142.87	146.93	153.54	160.14	142.87
MP-0125-49-DW-*R	49/98	6.000	6.250	6.410	6.670	6.930	6.250	152.40	158.75	162.81	169.42	176.02	158.75
MP-0125-50-DW-*R	50/100	6.125	6.375	6.535	6.795	7.055	6.375	155.58	161.93	165.99	172.59	179.20	161.93

\*NOTE: Add mounting and termination style digits to part number.