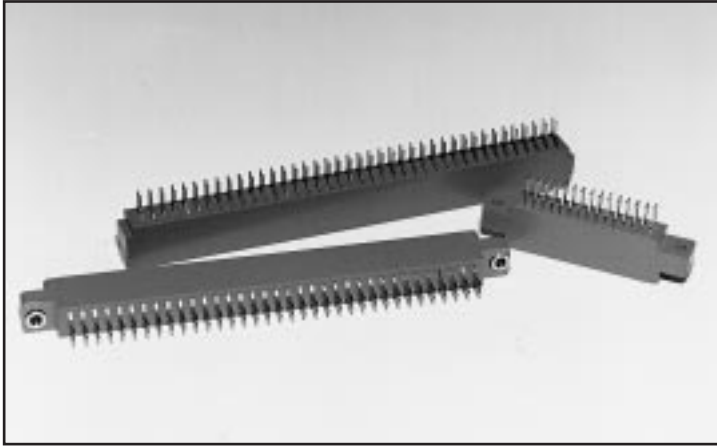


# .125

## Contact Centers Edgecard Connector .025 Square Extender Card Connector

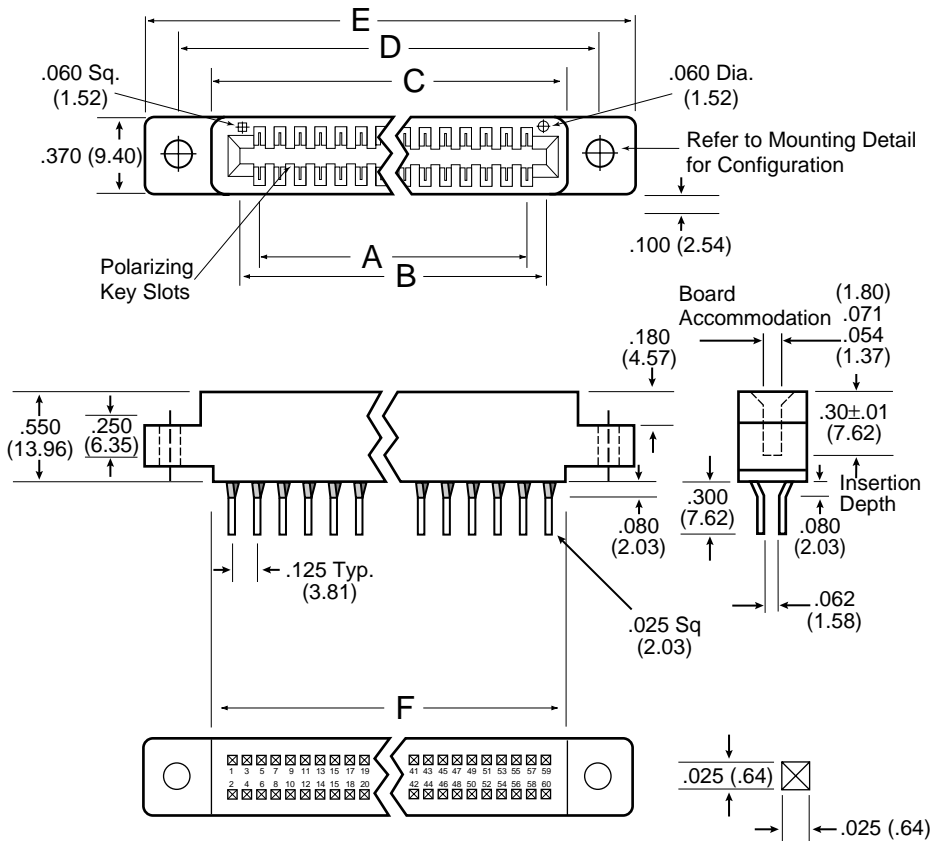
U.L. APPROVED E78000 (S)

### Part Number Description



MPS or MP-0125-10-D W E-4 K TT	
Selective Gold Plating	1
Standard All Gold Plating	2
Contact Spacing	3
Number of Contacts per row	4
Dual Readout D	5
.025 Square Wire Wrap Contact	6
Extender Card .062 Row Spacing	7
.125 Flush Mounting Holes	8
4-40 Flush Threaded Inserts	9
No. Mounting Ears	10
.125 Dia. Raised Mounting Ears	11
4-40 Threaded Insert Mount	12
Tin Plated Tails for MPS Style all Tin Plated for MP Style	13
No Standoffs	14

### Dimensions



### General Information

**CONTACT FORCES PER  
MIL-C-21097C**

#### MATERIALS/FINISHES:

- **Insulator:** Glass filled polyester (G.E. Valox 420-SEO or Equiv.)  
**Color:** Blue (Black or Green available upon request)
- **Keys:** Nylon, **Color:** White
- **Contacts:** Phosphor Bronze
- **Contact Finishes:** (MP Version) .000010 gold per MIL-G-45204 type II over nickel (MPS Version) CA 725 copper alloy .000010 to .000015 gold inlay; (Western Electric Type 1) over .000030 nickel on bellows face only. Tails are tin/lead plated.
- **Hardware:** Nickel plated brass.

**NOTE:** Various insulator materials, colors, plating material, thickness and sizes available upon request.