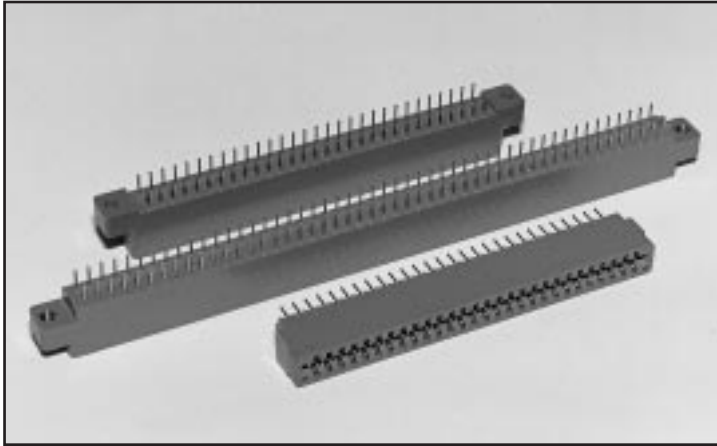


.125

Contact Centers Edgecard Connectors .026 Short Round Contacts

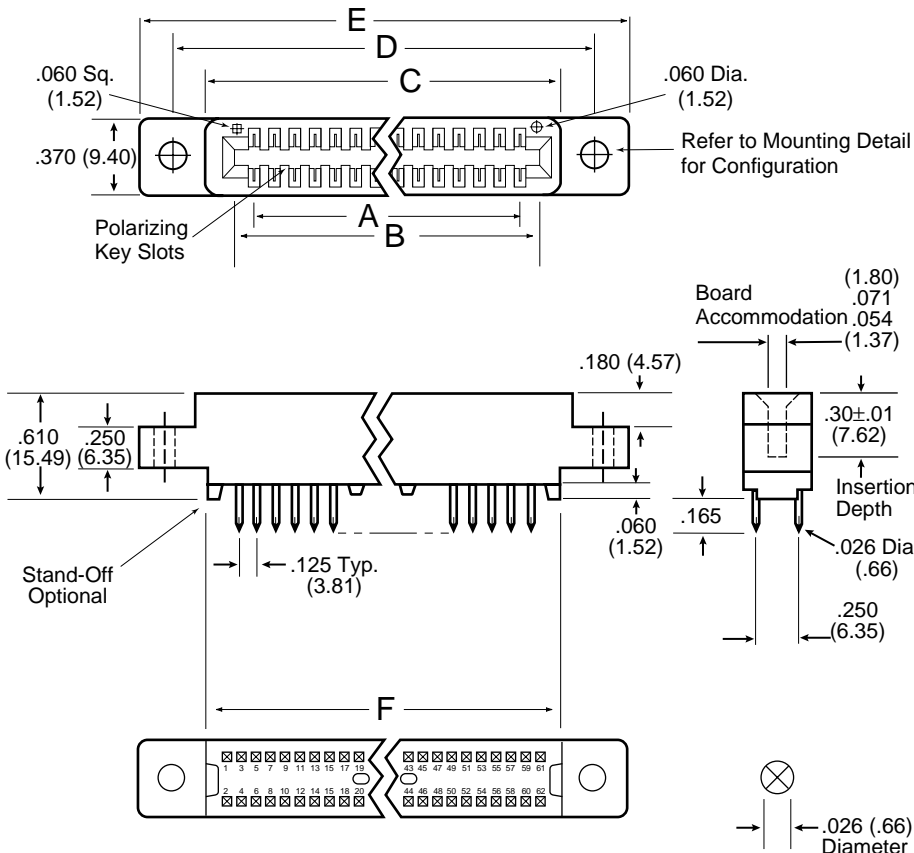
U.L. APPROVED E78000 (S)

Part Number Description



| | | | | | | | | |
|-------------------|----------------|-----------------|----------------------------|--------------|--|---------------------------|-----------------------------|--|
| MPS or MP | 0125 | -10 | -D | R | -4 | H | K | (.165) |
| Selective Plating | Micro Plastics | Contact Spacing | Number of Contacts per row | Dual Readout | .026 Round Contacts Fit .031 Dia. Hole | .125 Flush Mounting Holes | 4-40 Flush Threaded Inserts | No. Mounting Ears |
| | | | | D | | 1 | 2 | 4 |
| | | | | | | 5 | 6 | |
| | | | | | | | | Short .026 Round Contacts .165 Long |
| | | | | | | | | Tin Plated Tails for MPS Style all Tin Plated for MP Style |
| | | | | | | | | .165 Tail Length |

Dimensions



General Information

CONTACT FORCES PER MIL-C-21097C

MATERIALS/FINISHES:

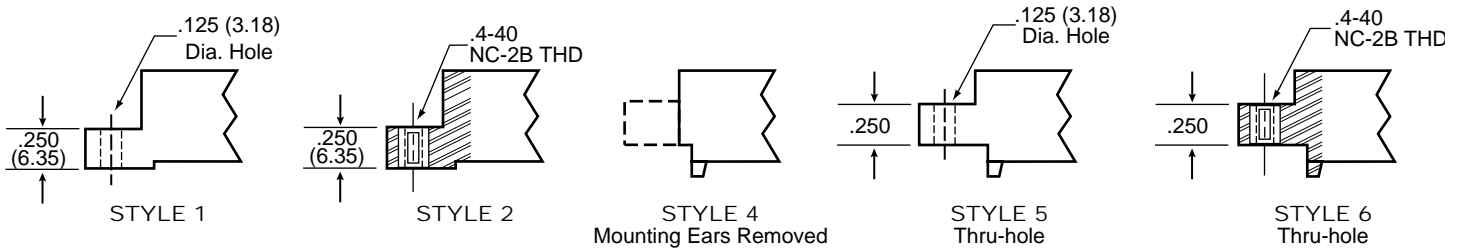
- **Insulator:** Glass filled polyester (G.E. Valox 420-SEO or Equiv.)
Color: Blue U.L. Approved*
Ryton R-4 available upon request for Hi-Temp Applications.
- **Keys:** Nylon, **Color:** White
- **Contacts:** Phosphor Bronze
- **Contact Finishes:** 'MP' style is .000010 gold per MIL-G-45204 over nickel covering entire contact surface. 'MPS' style is CA 725 copper alloy. .000010 to .000015 gold (Western Electric Type 1) over .000030 nickel on bellows face only, tails are tin/lead plated.
- **Hardware:** Nickel plated brass.

NOTE: Various insulator materials, colors, plating material thickness and sizes available upon request.

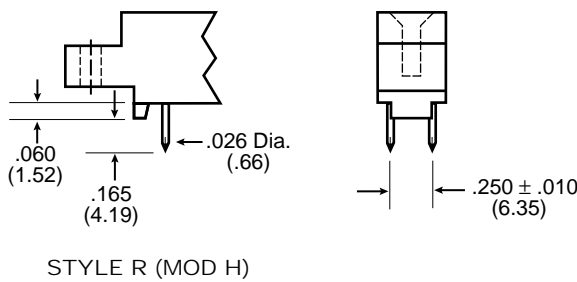
High Profile

.125 x .250 ROW

Mounting Styles-Detail G * NOTE: Additional mounting styles and hole sizes available upon request.



Termination Styles-Detail H



Polarizing Key (Between Contact Positions)

Polarizing Key
ordered separately
P/N 04-0004-000



Part Numbers/Dimensions

| PART NUMBER | NO. OF CONT. | INCHES | | | | | | MILLIMETERS | | | | | |
|-------------------------|--------------|------------|------------|------------|------------|------------|------------|-------------|------------|------------|------------|------------|------------|
| | | A ±.010 | B ±.010 | C ±.015 | D ±.015 | E ±.020 | F ±.015 | A ±0.25 | B ±0.25 | C ±0.38 | D ±0.38 | E ±0.51 | F ±0.38 |
| MP-0125-06-DR-*H (.165) | 6/12 | .625 | .875 | 1.035 | 1.295 | 1.555 | .875 | 15.88 | 22.23 | 26.29 | 32.89 | 39.50 | 15.88 |
| MP-0125-10-DR-*H (.165) | 10/20 | 1.125 | 1.375 | 1.535 | 1.795 | 2.055 | 1.375 | 28.58 | 34.93 | 38.99 | 45.59 | 52.20 | 34.93 |
| MP-0125-15-DR-*H (.165) | 15/30 | 1.750 | 2.000 | 2.160 | 2.420 | 2.680 | 2.000 | 44.45 | 50.80 | 54.86 | 61.47 | 68.07 | 50.80 |
| MP-0125-18-DR-*H (.165) | 18/36 | 2.125 | 2.375 | 2.535 | 2.795 | 3.055 | 2.375 | 53.98 | 60.33 | 64.39 | 70.99 | 77.60 | 60.33 |
| MP-0125-22-DR-*H (.165) | 22/44 | 2.625 | 2.875 | 3.035 | 3.295 | 3.555 | 2.875 | 66.68 | 73.03 | 77.09 | 83.69 | 90.30 | 73.03 |
| MP-0125-25-DR-*H (.165) | 25/50 | 3.000 | 3.250 | 3.410 | 3.670 | 3.930 | 3.250 | 76.20 | 82.55 | 86.61 | 93.21 | 99.82 | 76.20 |
| MP-0125-28-DR-*H (.165) | 28/56 | 3.375 | 3.625 | 3.785 | 4.045 | 4.305 | 3.625 | 85.73 | 92.08 | 96.14 | 102.74 | 109.35 | 92.08 |
| MP-0125-30-DR-*H (.165) | 30/60 | 3.625 | 3.875 | 4.035 | 4.295 | 4.555 | 3.875 | 92.08 | 98.43 | 102.49 | 109.09 | 115.70 | 98.43 |
| MP-0125-31-DR-*H (.165) | 31/62 | 3.750 | 4.000 | 4.160 | 4.420 | 4.680 | 4.000 | 92.25 | 101.60 | 105.66 | 112.27 | 118.87 | 101.60 |
| MP-0125-32-DR-*H (.165) | 32/64 | 3.875 | 4.125 | 4.285 | 4.545 | 4.805 | 4.125 | 98.43 | 104.78 | 108.84 | 115.44 | 122.05 | 104.78 |
| MP-0125-35-DR-*H (.165) | 35/70 | 4.250 | 4.500 | 4.660 | 4.920 | 5.180 | 4.500 | 107.95 | 114.30 | 118.36 | 124.97 | 131.57 | 114.30 |
| MP-0125-36-DR-*H (.165) | 36/72 | 4.375 | 4.625 | 4.785 | 5.045 | 5.305 | 4.625 | 111.13 | 117.48 | 121.54 | 128.14 | 134.75 | 117.48 |
| MP-0125-40-DR-*H (.165) | 40/80 | 4.875 | 5.125 | 5.285 | 5.545 | 5.805 | 5.125 | 123.83 | 130.18 | 134.24 | 140.84 | 147.45 | 130.18 |
| MP-0125-43-DR-*H (.165) | 43/86 | 5.250 | 5.500 | 5.660 | 5.920 | 6.180 | 5.500 | 133.35 | 139.70 | 143.76 | 150.37 | 156.97 | 139.70 |
| MP-0125-44-DR-*H (.165) | 44/88 | 5.375 | 5.625 | 5.785 | 6.045 | 6.305 | 5.625 | 136.52 | 142.87 | 146.93 | 153.54 | 160.14 | 142.87 |
| MP-0125-49-DR-*H (.165) | 49/98 | 6.000 | 6.250 | 6.410 | 6.670 | 6.930 | 6.250 | 152.40 | 158.75 | 162.81 | 169.42 | 176.02 | 158.75 |
| MP-0125-50-DR-*H (.165) | 50/100 | 6.125 | 6.375 | 6.535 | 6.795 | 7.055 | 6.375 | 155.58 | 161.93 | 165.99 | 172.59 | 179.20 | 161.93 |

*NOTE: Add mounting and termination style digits to part number.