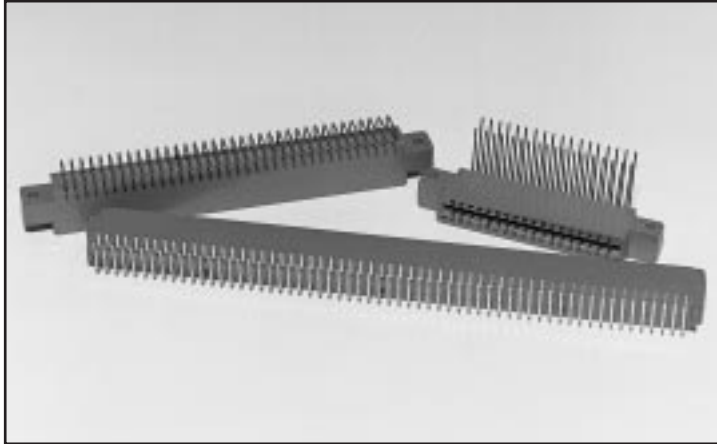


.100

Contact Centers Edgecard Connectors .025 Square Right Angle Contacts

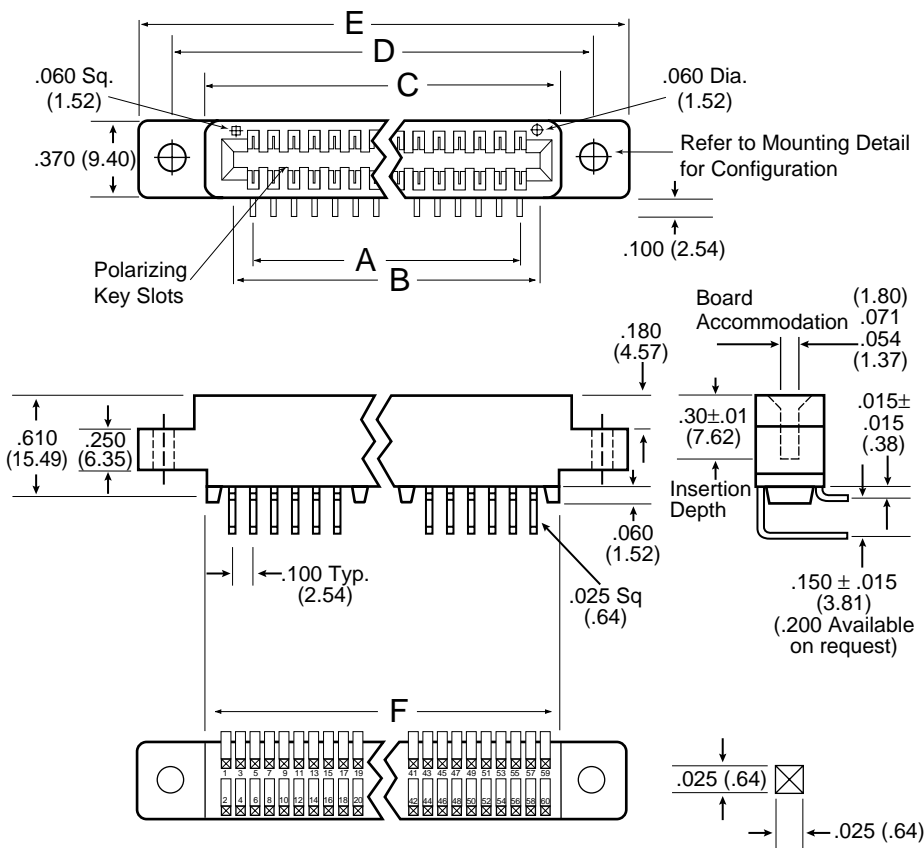
U.L. APPROVED E78000 (S)

Part Number Description



MPS or	MP-0100-10-D	W	-	4	K	R
Selective Gold Plating	Standard All Gold Plating	Contact Spacing	Number of Contacts per row	Dual Readout	.025 Square Wire Wrap	
					.125 Flush Mounting Holes	1
					4-40 Flush Threaded Inserts	2
					No. Mounting Ears	4
					.125 Dia. Raised Mounting Ears	5
					4-40 Threaded Insert Mount	6
					.125 Dia. Side Mounting Hole	8
					Tin Plated Tails for MPS Style all Tin Plated for MP Style	
					Right Angle Contacts	

Dimensions



General Information

**CONTACT FORCES PER
MIL-C-21097C**

MATERIALS/FINISHES:

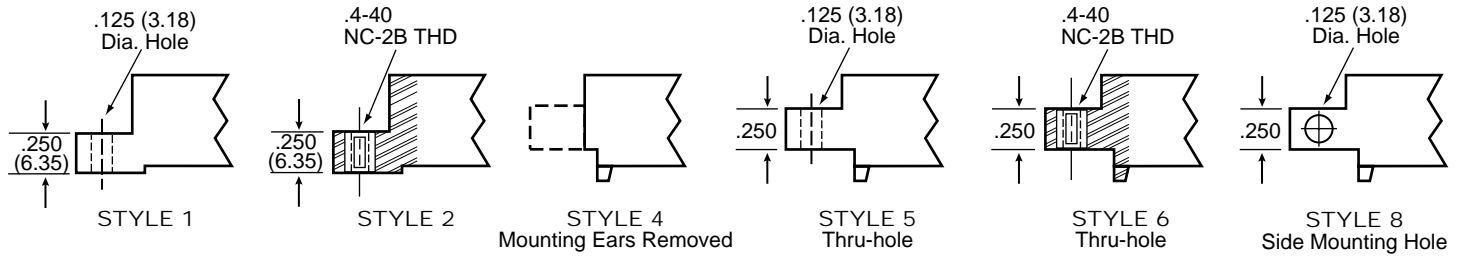
- **Insulator:** Glass filled polyester (G.E. Valox 420-SEO or Equiv.)
- **Color:** Blue (Black or Green available upon request)
- **Keys:** Nylon, **Color:** White
- **Contacts:** Phosphor Bronze
- **Contact Finishes:** (MP Version) .000010 gold per MIL-G-45204 type II over nickel (MPS Version) CA 725 copper alloy .000010 to .000015 gold inlay; (Western Electric Type 1) over .000030 nickel on bellows face only. Tails are tin/lead plated.
- **Hardware:** Nickel plated brass.

NOTE: Various insulator materials, colors, plating material, thickness and sizes available upon request.

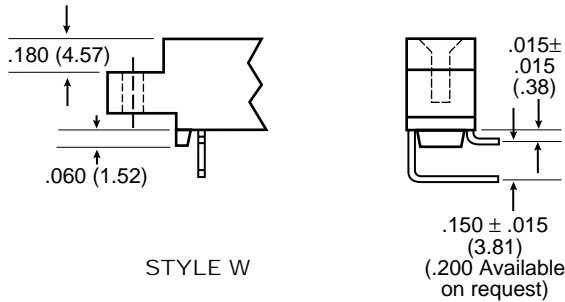
High Profile

.100 x .150 ROW

Mounting Styles-Detail G * NOTE: Additional mounting styles and hole sizes available upon request.



Termination Styles-Detail H



Polarizing Key (Between Contact Positions)

Polarizing Key
ordered separately
P/N 04-0004-000



Part Numbers/Dimensions

PART NUMBER	NO. OF CONT.	INCHES						MILLIMETERS					
		A ±.010	B ±.010	C ±.015	D ±.015	E ±.020	F ±.015	A ±0.25	B ±0.25	C ±0.38	D ±0.38	E ±0.51	F ±0.20
MP-0100-06-DW-*R	6/12	.500	.700	.860	1.175	1.435	.750	12.70	17.78	21.84	29.85	36.45	19.05
MP-0100-08-DW-*R	8/16	.700	.900	1.060	1.375	1.635	.950	17.78	22.86	26.92	34.93	41.53	24.13
MP-0100-10-DW-*R	10/20	.900	1.100	1.260	1.575	1.835	1.150	22.86	27.94	32.00	40.01	46.61	29.21
MP-0100-12-DW-*R	12/24	1.100	1.300	1.460	1.775	2.035	1.350	27.94	33.02	37.08	45.09	51.69	34.29
MP-0100-15-DW-*R	15/30	1.400	1.600	1.760	2.075	2.335	1.650	35.56	40.64	44.70	52.71	59.31	41.91
MP-0100-17-DW-*R	17/34	1.600	1.800	1.960	2.275	2.535	1.850	40.64	45.72	49.78	57.79	64.39	46.99
MP-0100-18-DW-*R	18/36	1.700	1.900	2.060	2.375	2.635	1.950	43.18	48.26	52.32	60.33	66.93	49.53
MP-0100-19-DW-*R	20/40	1.900	2.100	2.260	2.575	2.835	2.150	48.26	53.34	57.40	65.41	72.01	54.61
MP-0100-22-DW-*R	22/44	2.100	2.300	2.460	2.775	3.035	2.350	53.34	58.42	62.48	70.49	77.09	56.69
MP-0100-25-DW-*R	25/50	2.400	2.600	2.760	3.075	3.335	2.650	60.96	66.04	70.10	78.11	84.71	67.31
MP-0100-28-DW-*R	28/56	2.700	2.900	3.060	3.375	3.635	2.950	68.58	73.66	77.72	85.73	92.33	74.93
MP-0100-30-DW-*R	30/60	2.900	3.100	3.260	3.575	3.835	3.150	73.66	78.74	82.80	90.81	97.41	80.01
MP-0100-31-DW-*R	31/62	3.000	3.200	3.360	3.675	3.935	3.250	76.20	81.28	85.34	93.35	99.95	82.55
MP-0100-35-DW-*R	35/70	3.400	3.600	3.760	4.075	4.335	3.650	86.36	91.44	95.50	103.51	110.11	92.71
MP-0100-36-DW-*R	36/72	3.500	3.700	3.860	4.175	4.435	3.750	88.90	93.98	98.04	106.05	112.65	95.25
MP-0100-40-DW-*R	40/80	3.900	4.100	4.260	4.575	4.835	4.150	99.06	104.14	108.59	116.21	122.81	105.41
MP-0100-43-DW-*R	43/86	4.200	4.400	4.560	4.875	5.135	4.450	106.68	111.76	115.82	123.83	130.43	113.03
MP-0100-44-DW-*R	44/88	4.300	4.500	4.660	4.975	5.235	4.550	109.22	114.30	118.36	126.37	132.97	115.57
MP-0100-49-DW-*R	49/98	4.800	5.000	5.160	5.475	5.735	5.050	121.92	127.00	131.06	139.07	145.67	128.27
MP-0100-50-DW-*R	50/100	4.900	5.100	5.260	5.575	5.835	5.150	124.46	129.54	133.60	141.61	148.21	130.81
MP-0100-55-DW-*R	55/110	5.400	5.600	5.760	6.075	6.335	5.650	137.16	142.24	146.30	154.31	160.91	143.51
MP-0100-60-DW-*R	60/120	5.900	6.100	6.260	6.575	6.835	6.150	149.86	154.94	159.00	167.01	173.61	156.21
MP-0100-61-DW-*R	61/122	6.000	6.200	6.360	6.675	6.935	6.250	152.40	157.48	161.54	169.55	176.15	158.75
MP-0100-65-DW-*R	65/130	6.400	6.600	6.760	7.073	7.335	6.650	162.56	167.64	171.70	179.71	186.31	168.91
MP-0100-70-DW-*R	70/140	6.900	7.100	7.260	7.575	7.835	7.150	175.26	180.34	184.40	192.41	199.01	181.61

*NOTE: Add mounting and termination style digits to part number.