

# SPEAKERS

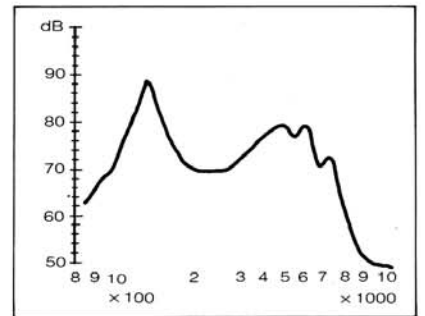
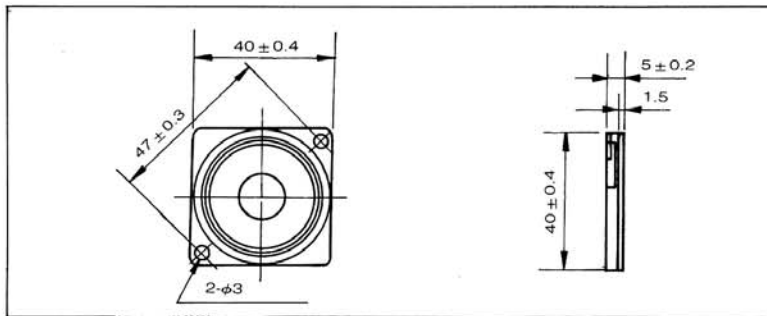
## ■ FEATURES

- Super-thin profile
- Stainless steel diaphragm
- 8 ohm standard impedance
- Light weight
- Broad frequency range
- Connector or lead wire can be soldered to terminal

## ■ SPECIFICATIONS

Type		ELS40S
Rated Input	(W)	0.4
Max. Input	(W)	0.8
Impedance (at 1KHz)	(Ω)	8
Sound Output at 10cm	(dB)	70
Distortion	(Hz)	10%max./3K
Response	(Hz)	600-6K
Operating Temperature	(°C)	- 20 ~ + 55
Storage Temperature	(°C)	- 40 ~ + 80
Weight	(g)	8.3

MODEL NO. ELS40S



## ■ FEATURES

- Super-thin profile
- Stainless steel diaphragm
- 8 ohm standard impedance
- Light weight
- Broad frequency range
- Connector or lead wire can be soldered to terminal

## ■ SPECIFICATIONS

Type		ELS40R
Rated Input	(W)	0.4
Max. Input	(W)	0.8
Impedance (at 1KHz)	(Ω)	8
Sound Output at 10cm	(dB)	70
Distortion	(Hz)	10%max./3K
Response	(Hz)	600 ~ 6K
Operating Temperature	(°C)	- 20 ~ + 55
Storage Temperature	(°C)	- 40 ~ + 80
Weight	(g)	8.0

MODEL NO. ELS40R

