

PIEZO TRANSDUCERS

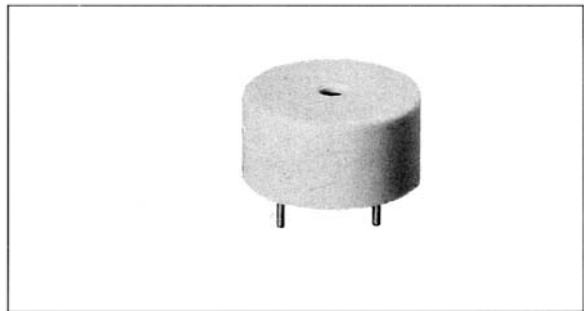
EXTERNAL DRIVE TYPE

ELT121A1AWP-T is a cased ultra-miniature sounder designed to produce a clear sound wave, even at frequencies other than the resonant frequency of the sounding body of a piezoceramic buzzer, and to be driven by an external signal such as a clock signal.

This sounder is characterized by low power consumption, miniaturized size and light weight, making it suitable for sounding applications in various types of compact electronic devices and equipment.

Features

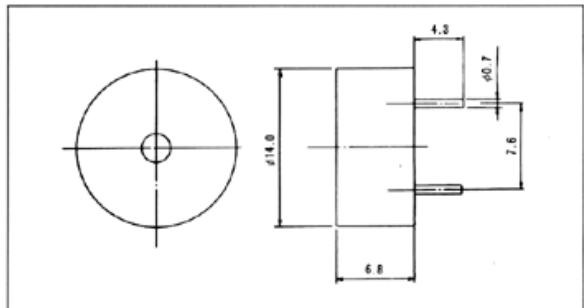
1. Ultra-miniature in cubic volume and light in weight.
 2. Low power consumption.
 3. No electric noise due to contacting parts; superior reliability and lifetime.
 4. Cased pin type enables easy mounting of sounder on printed circuit boards.
 5. Suitable for dip soldering.
 6. Washable top-sealed buzzer is also available upon request.
 7. This sounder conforms to EIAJ Standards.
- ※ EIAJ = Electronic Industries Association of Japan.



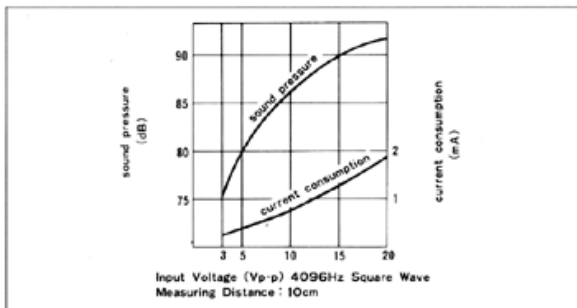
Specifications

Item code (EIAJ)	ELT121A1AWP-T
Input	Square wave, 5V _{p-p} · 4096Hz
Sound pressure	75dB min. (distance: 10cm)
Current consumption	2mA max.
Static capacitance	14,000pF ± 30%
Max. input voltage	20V _{p-p}
Weight	1g
Case material	PPO(UL94V-1)

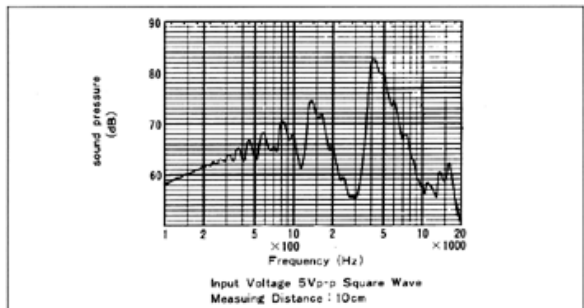
Shape & Dimensions



● Voltage-Sound Pressure · Current Consumption



● Sound Pressure · Frequency



Specifications may be changed without notice.