

ELECTRO-MECHANICAL SMD TRANSDUCERS

features

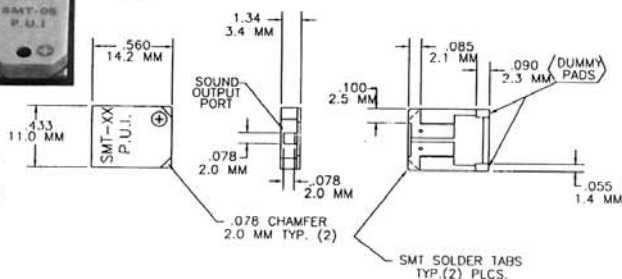
- SMD mounting
- 3.4MM low profile case configuration
- Compatible with convection, IR and vapor phase
- 2700 Hz and 3200 Hz frequencies
- Two voltages available (1.5 and 5 Vp-p)
- Available in tape & reel (1 K pc minimum) and tubes of 50 pieces



Approximate size

Weight: 2.0 grams

Also available with a top sound port for those design applications that can not use our standard side firing configuration. Contact Projects Unlimited, Inc. for details.



electrical specifications

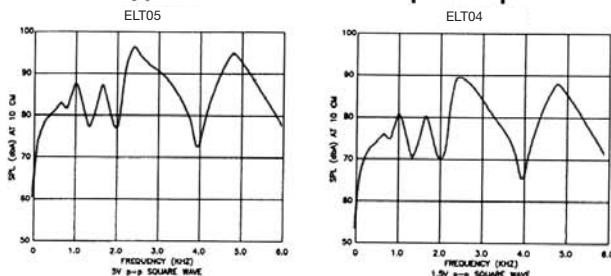
All data at 25°C unless otherwise specified.

Parameter	ELT04	ELT041	ELT05	Units
Rated Voltage	1.5	1.5	5	Vp-p
Operating Voltage	1-2	1-2	3-7	Vp-p
Rated Current (maximum)	80	80	80	mA
Coil Resistance	9	7	30	Ohms
Resonant Frequency	2700	3200	2700	Hz
Sound Pressure Level @ 10cm (minimum)	85			dba
Temperature Range				
Operating	-30° to +60°			°C
Storage	-40° to +85°			°C

Because Projects Unlimited is constantly developing and improving its product line, we reserve the right to change specifications without notice.

4 4

typical SPL vs. frequency



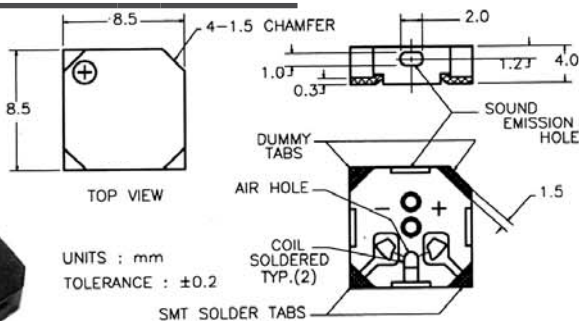
ULTRA MINIATURE - ELECTRO MECHANICAL SMD TRANSDUCERS

Features

- SMD mounting
- Compatible with convection, IR and vapor phase
- 4.0MM low profile ultra miniature case configuration
- Side firing sound port
- 2300 Hz frequency
- Two voltages available (3 and 5Vp-p)
- Available in tubes of 50 pieces or reels of 1K pieces



Larger than actual size



electrical specifications

All data at 25°C unless otherwise specified.

Parameter	ELT901	ELT903	Units
Rated Voltage	5	3	Vp-p
Operating Voltage	3-7	2-4	Vp-p
Rated Current	70	70	mA
Coil Resistance	32	16	Ohms
Resonant Frequency	2300	2300	Hz
Sound Pressure Level at 10cm (Typical)	87	87	dBa
Temperature Range			
Operating	-30° to +60°		°C
Storage	-40° to +80°		°C

Because Projects Unlimited is constantly developing and improving its product line, we reserve the right to change specifications without notice.

typical SPL vs. frequency

