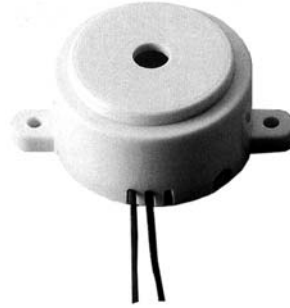


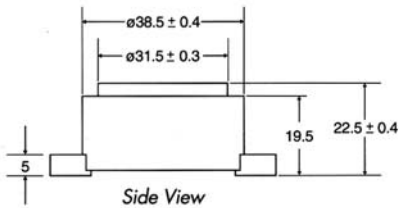
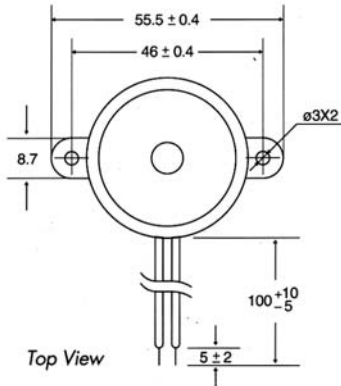
PIEZO BUZZERS

FLANGE MOUNTING TYPE

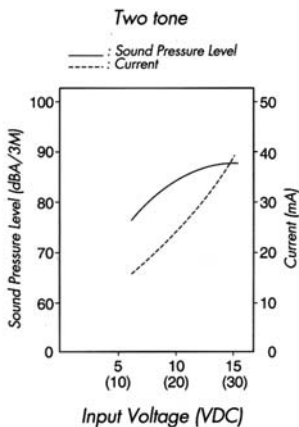
Material of Case: ABS
 Colour: White
 Operating Temperature: -20°C $+60^{\circ}\text{C}$
 *Wire Connection: Please refer to page 25



DIMENSIONS (in mm)



CHARACTERISTICS



Electrical Specifications

Model No.	ELB17S3120	ELB17S3240	ELB17P3120	ELB17T3120	ELB17T3240
Operation Voltage (VDC)	6-15	6-28	6-15	6-15	6-28
Rated Voltage (VDC)	12	24	12	12	24
Max. Current at Rated Voltage (mA)	40	40	40	40	40
Frequency (KHz)	2.6±0.5	2.6±0.5	2.6±0.5	(2.6-2.8)±0.5	(2.6-2.8)±0.5
Min. Sound Pressure at Rated Voltage (dB(A)/3M)	80	80	80	85	85
Tone	SINGLE	SINGLE	PULSE	TWO	TWO
Pulse Rate at Rated Voltage (Pulse/Sec)	NIL	NIL	1.5±0.5	NIL	NIL
Terminal	LEAD/PIN	LEAD/PIN	LEAD/PIN	LEAD/PIN	LEAD/PIN