
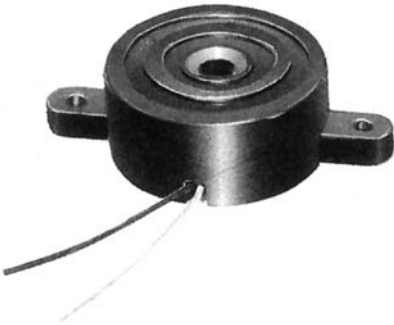


PIEZO BUZZERS

FLANGE MOUNTING TYPE

Model Number	ELB260	ELB260A	ELB270	ELB270A
Oscillating Frequency (KHz)	3.5 ± 0.5	3.8 ± 0.5	3.5 ± 0.5	3.5 ± 0.5
Operating Voltage (VDC)	3~28	3~20	3~28	3~20
Current Consumption at 12 VDC (mA, maximum)	4	7	5	8
Sound Pressure Level at 30 cm/12 VDC (dB, minimum)	85	96	86	96
Tone	Continuous Tone			
Operating Temperature (°C)	- 20 ~ + 60			
Storage Temperature (°C)	- 30 ~ + 70			
Weight (Gram)	7.7	8	7	7
Shape 1 : 1				
Dimension Unit: mm Tolerance: ± 0.5mm	