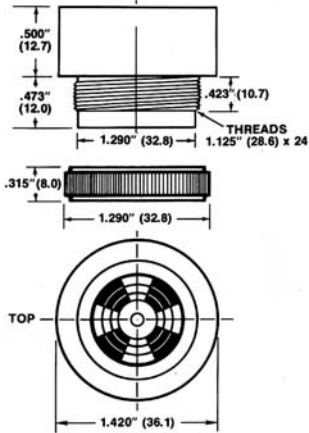


CASE DIMENSIONS

FOR PAGE 4-8

CASE DIMENSIONS

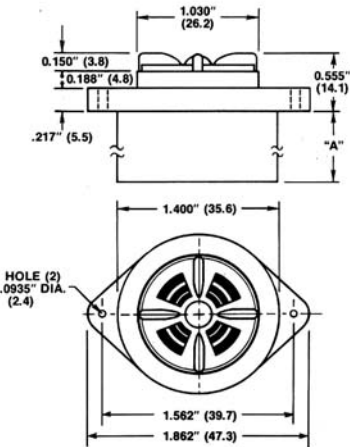
Dimensions are in inches (mm)
Tolerances are $\pm 0.015"$ (0.4)



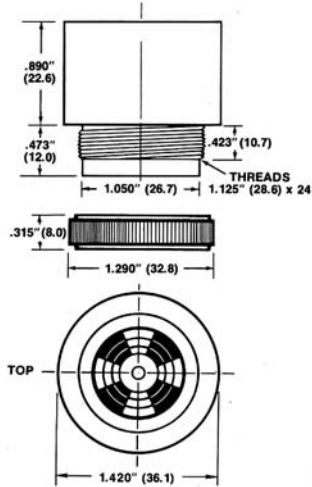
07 CASE

CASE STYLE DETERMINES BODY DEPTH "A"

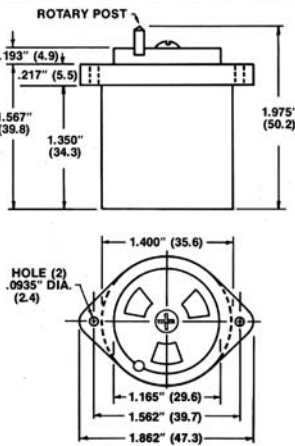
CASE STYLE V01 = 0.450" (11.4)
CASE STYLE V04 = 0.850" (21.6)
CASE STYLE V14 = 1.350" (34.3)



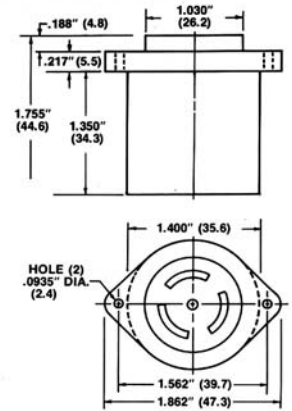
V01, V04, V14 CASES



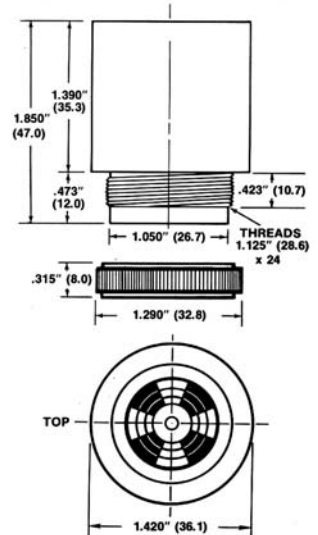
09 CASE



16 CASE



14 CASE



19 CASE