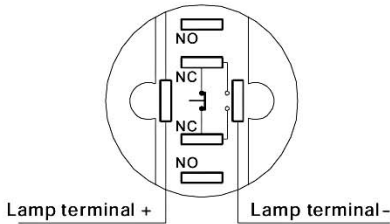


AVSGQ22ANTI-VANDAL PUSHBUTTONS

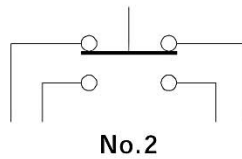
◆ Implication of Type

GQ	□□	-	□□	□	/	□	/	□	/	□
Code of Series	Mounting hole: 22 Φ22mm	Contact Structure: 11 1NO1NC	Lamp type: E ring No letter means without lamp.	The crust material: N Nickel Plated Brass G Glod Plated Brass S Stainless Steel	Lamp Color: R red G green Y yellow O orange B blue W white	Lamp voltage: 6V AC/DC 12V AC/DC 24V AC/DC 110V AC/DC 220V AC/DC				

◆ Terminal Arrangement



◆ Switching Operation

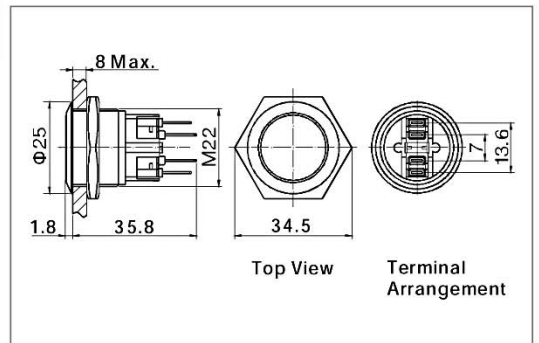


PUSH BUTTON SWITCH



AVSGQ22-11

- ⊙ Φ22mm diameter
- ⊙ 5A/250VAC
- ⊙ 1NO1NC
- ⊙ Switching:No. 2
- ⊙ The Front Shape:Flat Round
- ⊙ The crust material:Stainless Steel/
Brass(Nikel Plated,Gold Plated)
- ⊙ IP Degree:IP65



Introduction of product model refer to P1